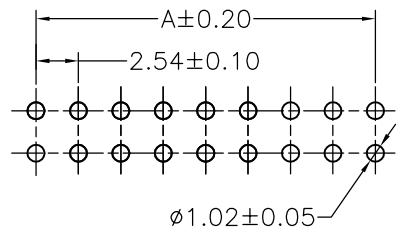
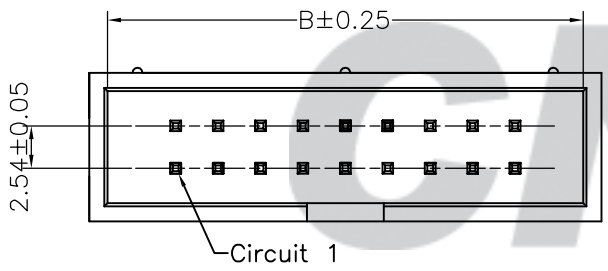
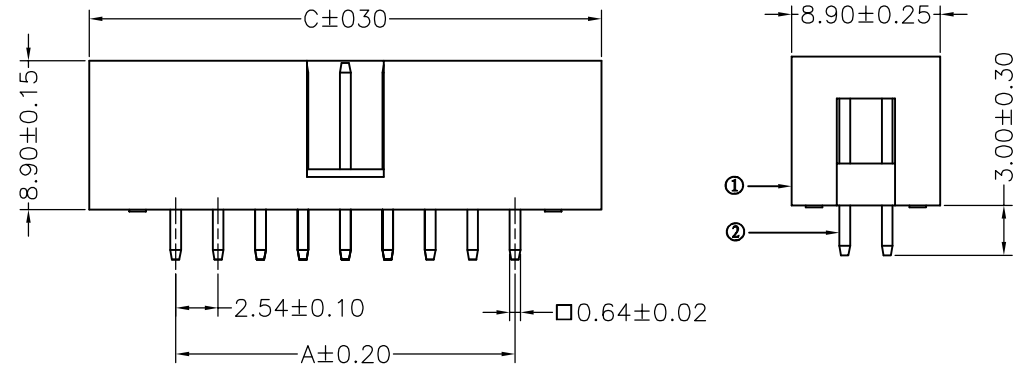
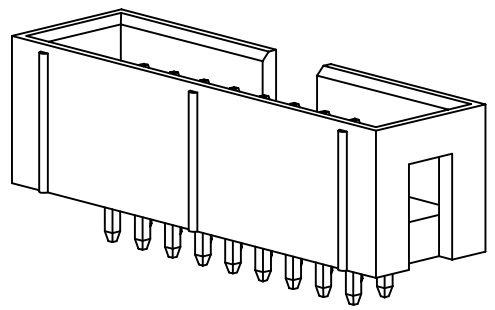


RoHS Compliant

成品图



SUGGESTED PCB LAYOUT
(COMPONENT SIDE)



SPECIFICATION

- 1 Contact resistance: $\leq 20m\Omega$
- 2 Insulation resistance: $\geq 1000M\Omega$
- 3 Rated voltage: 250 V AC DC
- 4 Rated current: 3.0 A AC DC
- 5 Withstand Voltage: 1500V AC/minute
- 6 Temperature Range: $-25^{\circ}C \sim +105^{\circ}C$

ORDER INFORMATION:

P2541A-*-E2KC-C**

PART No.:		PACKAGING:
No. OF CIRCUITS:		C=TRAY
2X3~2X20		PLATING:
PLASTIC MATERIAL:		C=Gold-plated
E2K=PBT (BLACK)		
C2K=PA6T (BLACK)		

Circuits	Dimensions (mm)			Circuits	Dimensions (mm)		
	A	B	C		A	B	C
203 (2X3)	5.08	13.24	15.22	212 (2X12)	27.94	36.10	38.08
204 (2X4)	7.62	15.78	17.76	213 (2X13)	30.48	38.64	40.62
205 (2X5)	10.16	18.32	20.30	214 (2X14)	33.02	41.18	43.16
206 (2X6)	12.70	20.86	22.84	215 (2X15)	35.56	43.72	45.70
207 (2X7)	15.24	23.40	25.38	216 (2X16)	38.10	46.26	48.24
208 (2X8)	17.78	25.94	27.92	217 (2X17)	40.64	48.80	50.78
209 (2X9)	20.32	28.48	30.46	218 (2X18)	43.18	51.34	53.32
210 (2X10)	22.86	31.02	33.00	219 (2X19)	45.72	53.88	55.86
211 (2X11)	25.40	33.56	35.54	220 (2X20)	48.26	56.42	58.40

REV.	DATE	DESCRIPTION	APPD.	NO.	DESCRIPTION	QTY	MATERIAL	PLATING/COLOR
B/0	2016.05.12	NEW RELEASE		②	Contacts	6~40	Brass	Gold-plated
				①	Insulator	1	PBT (UL94V-0)	Black

Tolerance X.X ±0.30 X.XX ±0.20 X.XXX ±0.10 Angle ±3.0°	Model Name: 2.54mm PITCH 180° BOX HEADER		SCALE: FULL	REVISION: B/0
	Model No: P2541A-***-E2KC-C			
UNIT: mm			CNJST 浙江捷仕泰电子有限公司 ZHEJIANG JIESHITAI ELECTRONIC CO., LTD	

Drawn: 蔡忠忠 2016.05.12

Checked: 林旭芝

Approved: 刘祚杰

DWG NO. CNJST/GCCP-0140