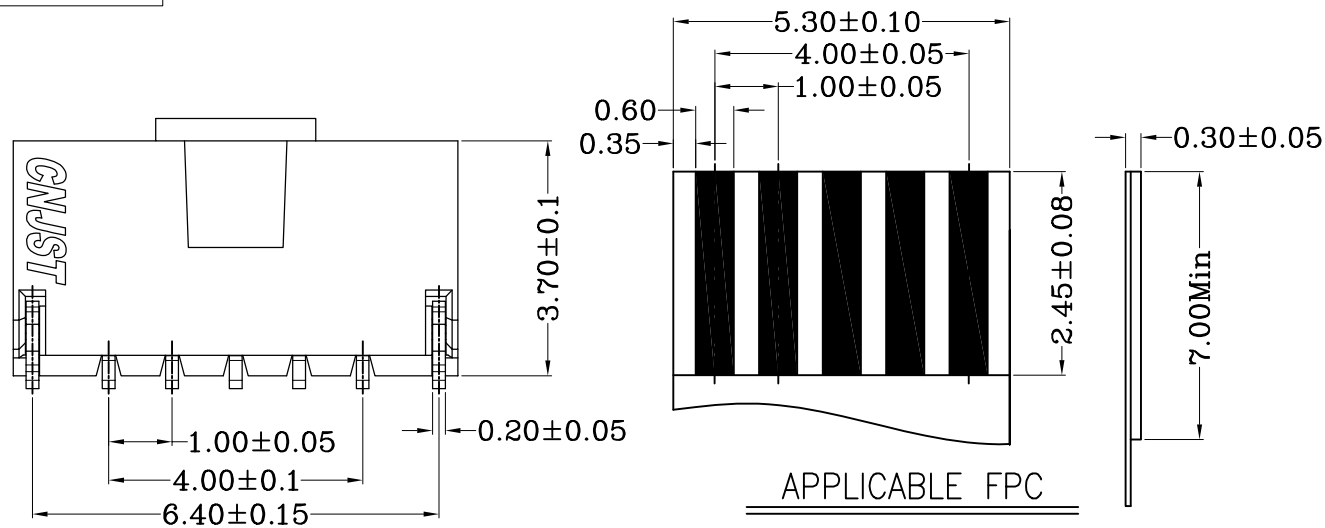


RoHS Compliant

成品图



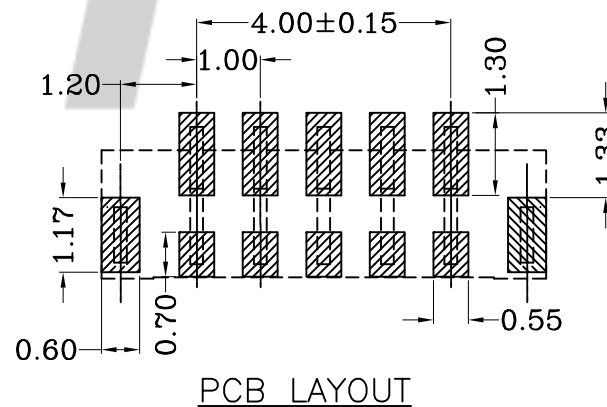
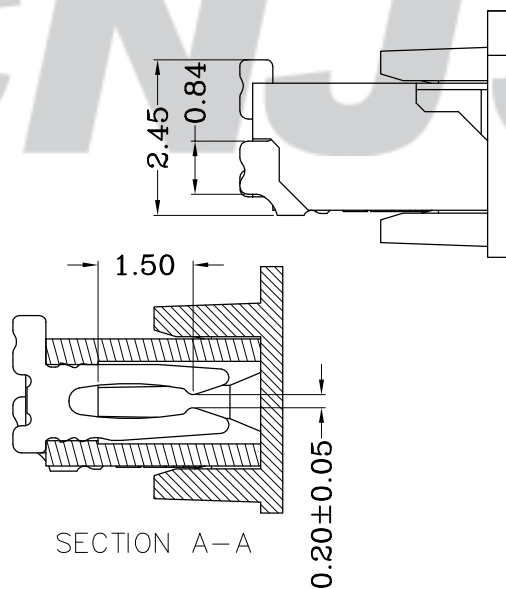
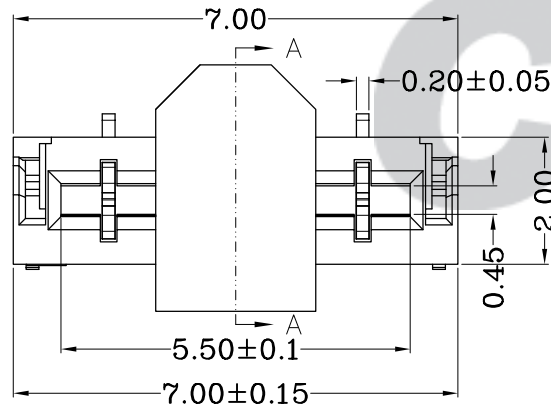
SPECIFICATION

- 1 Contact resistance:  $\leq 30m\Omega$
- 2 Insulation resistance:  $\geq 500M\Omega$
- 3 Rated voltage: 100 V AC DC
- 4 Rated current: 1.0A AC DC
- 5 Withstand Voltage: 500V AC/minute
- 6 Temperature Range:  $-25^{\circ}C \sim +85^{\circ}C$

ORDER INFORMATION:

F1014AWV-05-F2MB-R-X

PART No.:	PACKAGING:
No. OF CIRCUITS:	R=REEL
05	PLATING:
PLASTIC MATERIAL:	B=Mattn Sn
F2M=LCP	



专利产品

REV.	DATE	DESCRIPTION	APPD.
B/02	2016.04.12	NEW RELEASE	

NO.	DESCRIPTION	QTY	MATERIAL	PLATING/COLOR
④	Cap	1	LCP (UL94V-0)	Nature (Beige)
③	Solder Tabs	2	Phosphor Bronze	Mattn Sn
②	Material	05	Phosphor Bronze	Mattn Sn
①	Insulator	1	LCP (UL94V-0)	Nature (Beige)

Tolerance	Model Name: 1.00mm pitch 180° FFC/FPC TYPE
X.X ±0.30	Model No: F1014AWV-05-F2MB-R-X
X.XX ±0.20	
X.XXX ±0.10	
Angle ±3.0°	
UNIT: mm	

 SCALE: FULL REVISION: B/0  
**CNJST** 浙江捷仕泰电子有限公司  
 ZHEJIANG JIESHITAI ELECTRONIC CO., LTD

Drawn: 张育斌 2016.05.17
Checked: 林旭芝
Approved: 刘祚杰
DWG NO. CNJST/GCCP-0461