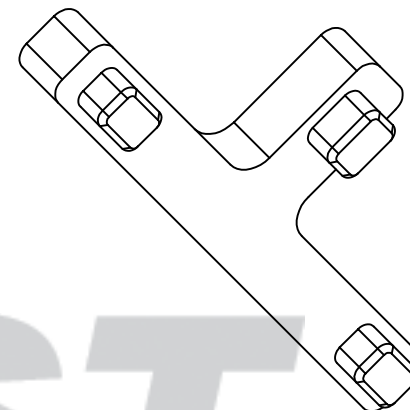
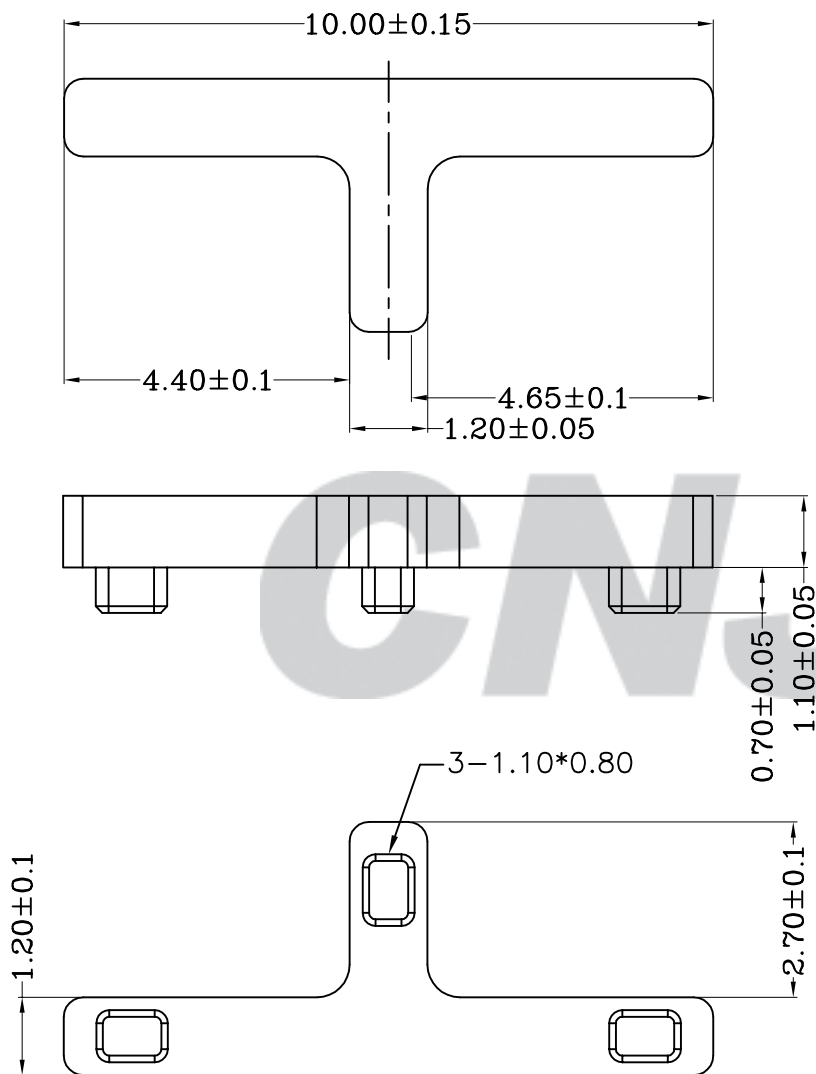


RoHS Compliant

成品图



ORDER INFORMATION:

<b>DS-1003911-F2M-*</b>	
PART No.	PACKAGING:
No. OF CIRCUITS:	R=REEL
Length	P=PE
Width	PLASTIC MATERIAL:
Height	F2M=LCP

专利产品

REV.	DATE	DESCRIPTION	APPD.	NO.	DESCRIPTION	QTY	MATERIAL	PLATING/COLOR
B/0	2016.04.12	NEW RELEASE		①	Insulator	1	LCP(UL94V-0)	Nature(Beige)

Tolerance	Model Name: Stopper	Drawn: 蔡忠忠 2016. 04. 12
X.X ±0.30	Model No: DS-1003911-F2M-*	
X.XX ±0.20	SCALE: FULL	Checked: 林旭芝
X.XXX ±0.10		
Angle ±3.0°		Approved: 刘祚杰
UNIT: mm	<b>CNJST</b> 浙江捷仕泰电子有限公司 ZHEJIANG JIESHITAI ELECTRONIC CO., LTD	DWG NO. CNJST/GCCP-0417