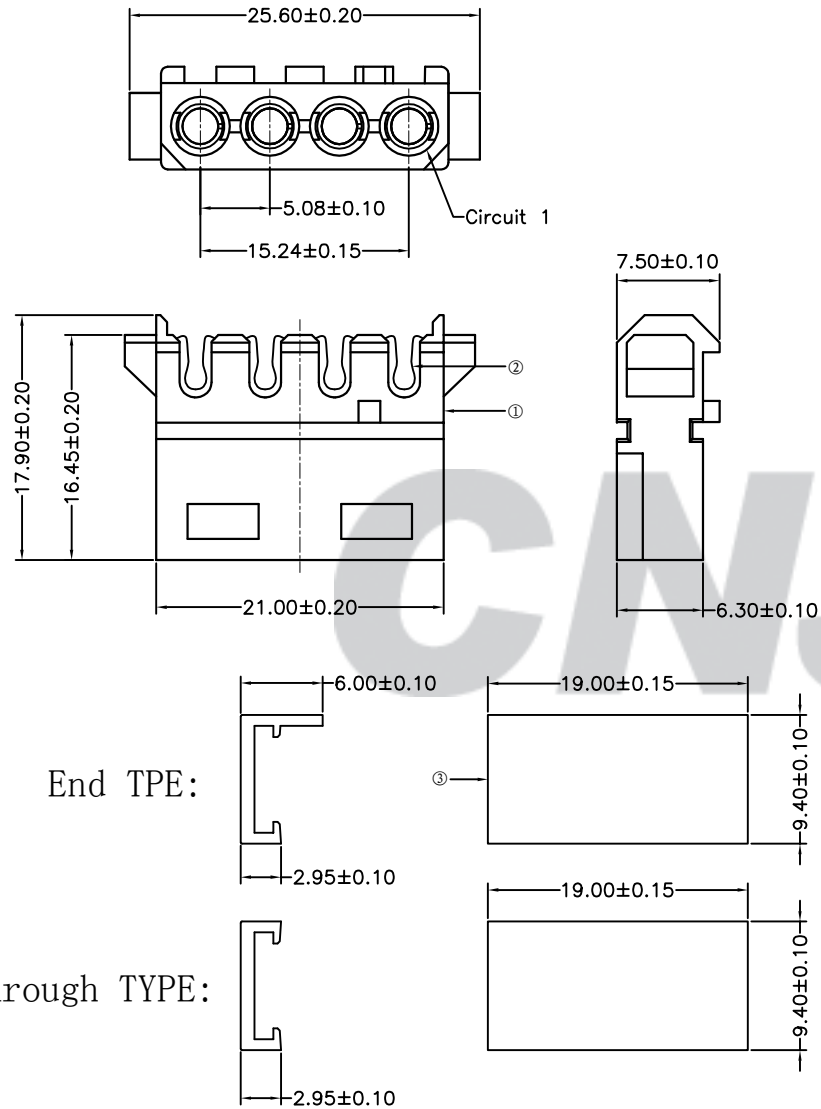


RoHS Compliant

成品图



SPECIFICATION

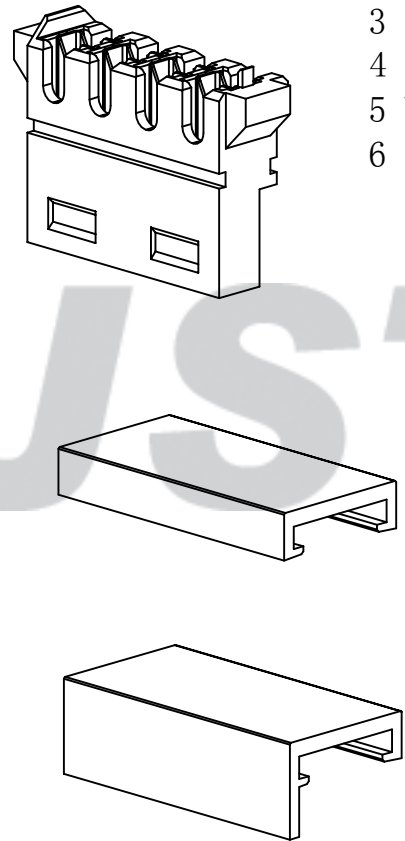
- 1 Contact resistance: $\leq 10m\Omega$
- 2 Insulation resistance: $\geq 1000M\Omega$
- 3 Rated voltage: 250 V AC DC
- 4 Rated current: 7.0 A AC DC
- 5 Withstand Voltage: 1500V AC/minute
- 6 Temperature Range: $-25^{\circ}C \sim +85^{\circ}C$

ORDER INFORMATION:

D5081G-04-A0TA-P

PART No. _____
 No. OF CIRCUITS: _____
 04
 PLASTIC MATERIAL: _____
 AOT=PA66 (TRANSPARENT)

PACKAGING: P=PE
 PLATING: A=Tin-plated



End TPE:

Through TYPE:

REV.	DATE	DESCRIPTION	APPD.	NO.	DESCRIPTION	QTY	MATERIAL	PLATING/COLOR
B/0	2016.05.12	NEW RELEASE		③	CAP	4	PA66 (UL94V-2)	Transparent
				②	Contacts	4	Brass	Tin-plated
				①	Insulator	1	PA66 (UL94V-2)	Transparent

Tolerance X.X ±0.30 X.XX ±0.20 X.XXX ±0.10 Angle ±3.0°	Model Name: 5.08mm PITCH IDC HOUSING Model No: D5081G-04-A0TA-P	Drawn: 蔡忠忠 2016.05.12
UNIT: mm	SCALE: FULL REVISION: B/0	Checked: 林旭芝
	CNJST 浙江捷仕泰电子有限公司 ZHEJIANG JIESHITAI ELECTRONIC CO., LTD	Approved: 刘祚杰
		DWG NO. CNJST/GCCP-0138