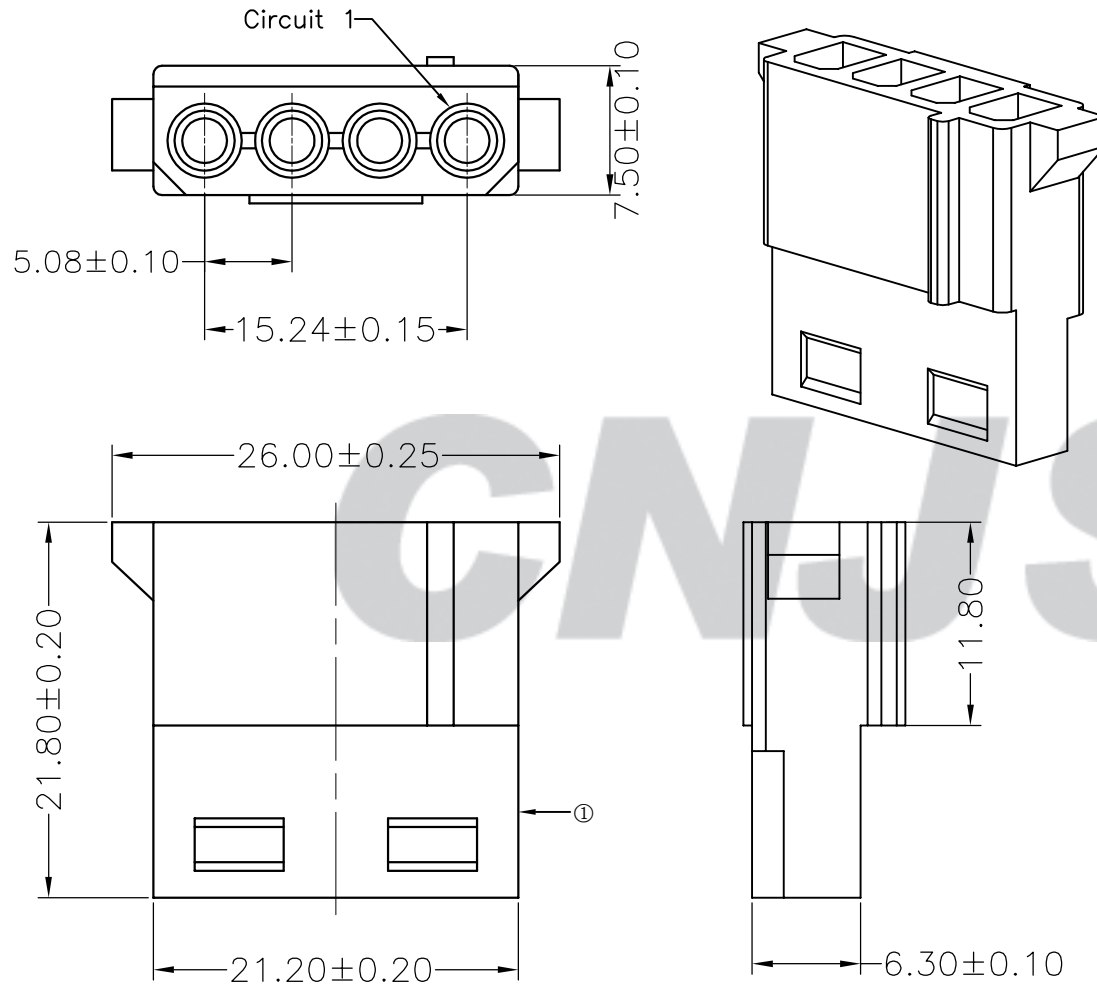


RoHS Compliant

成品图



SPECIFICATION

- 1 Contact resistance: $\leq 10\text{m}\Omega$
- 2 Insulation resistance: $\geq 1000\text{M}\Omega$
- 3 Rated voltage: 250 V AC DC
- 4 Rated current: 7 A AC DC
- 5 Withstand Voltage: 1500V AC/minute
- 6 Temperature Range: $-25^{\circ}\text{C} \sim +85^{\circ}\text{C}$

ORDER INFORMATION:

C5081R-04-A0T-P

PART No.

No. OF CIRCUITS:

04

PACKAGING:

P=PE

PLASTIC MATERIAL:

A0T=PA66 (TRANSPARENT)

Tolerance	Model Name: 5.08mm PITCH HOUSING-RECEPTACLE	Drawn: 蔡忠忠 2016.05.12
X.X ±0.30	Model No: C5081R-04-A0T-P	
X.XX ±0.20	SCALE: FULL REVISION: B/0	Checked: 林旭芝
X.XXX ±0.10		UNIT: mm
Angle ±3.0°	CNJST 浙江捷仕泰电子有限公司 ZHEJIANG JIESHITAI ELECTRONIC CO., LTD	DWG NO. CNJST/GCCP-0135

REV.	DATE	DESCRIPTION	APPD.	NO.	DESCRIPTION	QTY	MATERIAL	PLATING/COLOR
B/0	2016.05.12	NEW RELEASE		①	Insulator	1	PA66(UL94V-2)	Transparent