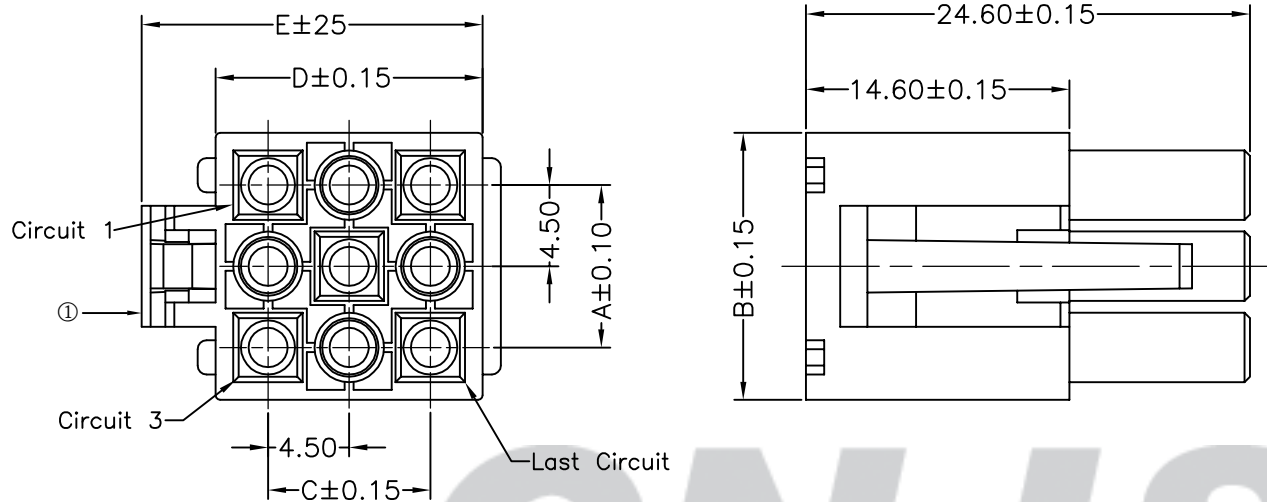
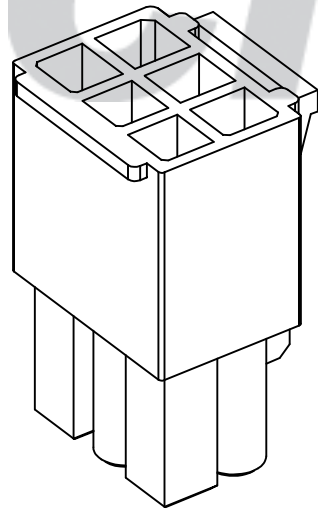


RoHS Compliant

成品图



CNJST



SPECIFICATION

- 1 Contact resistance: $\leq 10m\Omega$
- 2 Insulation resistance: $\geq 1000M\Omega$
- 3 Rated voltage: 300 V AC DC
- 4 Rated current: 2~5A AC DC
- 5 Withstand Voltage: 1500V AC/minute
- 6 Temperature Range: $-25^{\circ}C \sim +85^{\circ}C$

ORDER INFORMATION:

C4501R-*-A6W-P**

PART No.

No. OF CIRCUITS:
02~3X5

PACKAGING:
P=PE

PLASTIC MATERIAL:
A6W=PA66 (WHITE)

Circuits	Dimensions (mm)				
	A	B	C	D	E
02	4.50	10.30	-	5.80	5.60
03	9.00	14.80	-	5.80	5.60
04	13.50	19.30	-	5.80	5.60
202 (2X2)	4.50	10.30	4.50	4.50	14.40
203 (2X3)	4.50	14.80	4.50	4.50	14.40
303 (3X3)	9.00	14.80	9.00	9.00	18.90
304 (3X4)	13.50	19.30	9.00	9.00	18.90
305 (3X5)	18.00	23.80	9.00	9.00	18.90

Tolerance X.X ±0.30 X.XX ±0.20 X.XXX ±0.10 Angle ±3.0°	Model Name: 4.50mm PITCH HOUSING	Drawn: 蔡忠忠 2016.05.18
	Model No: C4501R-***-A6W-P	
UNIT: mm	SCALE: FULL	REVISION: B/0
	Checked: 林旭芝	
Approved: 刘祚杰		DWG NO. CNJST/GCCP-0163
CNJST 浙江捷仕泰电子有限公司 ZHEJIANG JIESHITAI ELECTRONIC CO., LTD		

REV.	DATE	DESCRIPTION	APPD.	NO.	DESCRIPTION	QTY	MATERIAL	PLATING/COLOR
B/0	2016.05.18	NEW RELEASE		①	Insulator	1	PA66 (UL94V-0)	White