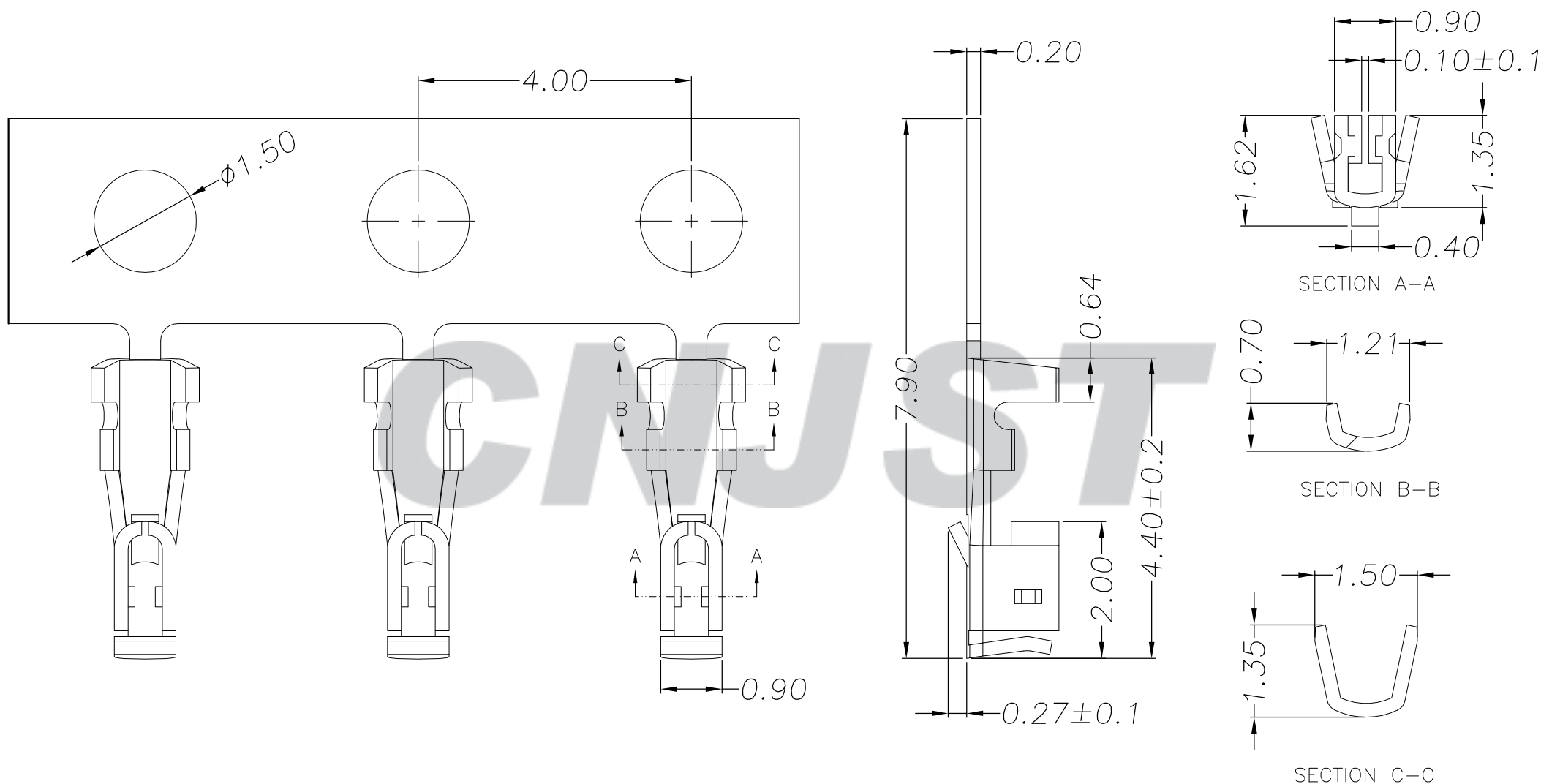
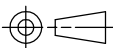


RoHS Compliant

端子图



| | | | |
|--|---|--|-------------------------|
| Tolerance X.X ±0.30 X.XX ±0.20 X.XXX ±0.10 Angle ±3.0° | Model Name: 5.00mm PITCH CRIMP TERMINAL-FEMALE | | Drawn: 张育斌 2016.06.13 |
| | Model No: A5001T-PA-Z | | |
| UNIT: mm |  | SCALE: FULL | REVISION: B/1 |
| | | CNJST 浙江捷仕泰电子有限公司 ZHEJIANG JIESHITAI ELECTRONIC CO., LTD | |
| | | | Checked: 林旭芝 |
| | | | Approved: 刘祚杰 |
| | | | DWG NO. CNJST/GCDZ-0078 |

| REV. | DATE | DESCRIPTION | APPD. | Wire Range | Insulation O.D. | QTY/Reel | Material | Plating |
|------|------------|-------------|-------|-------------|-----------------|-----------|-----------------|------------|
| 1 | 2013.01.01 | NEW RELEASE | | AWG #26~#30 | | 10,000Pcs | Phosphor Bronze | Tin-plated |