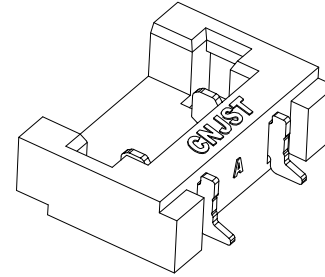
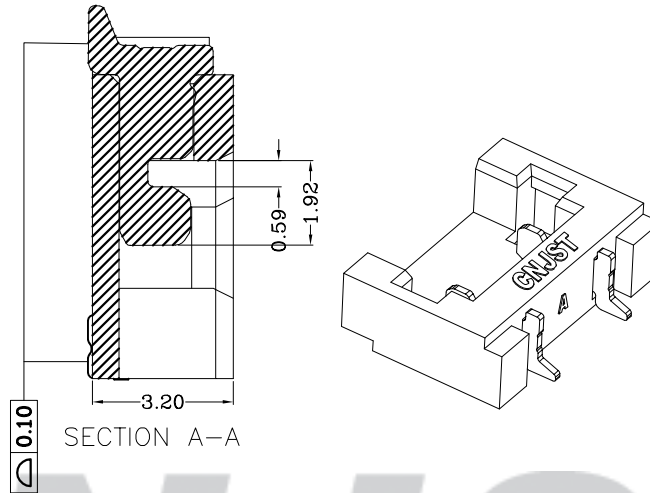
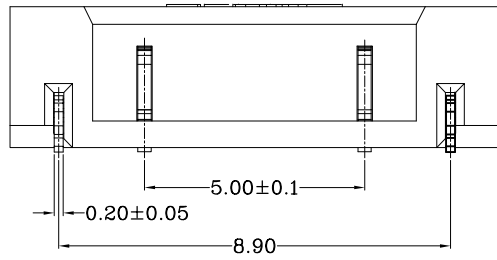


RoHS Compliant

成品图



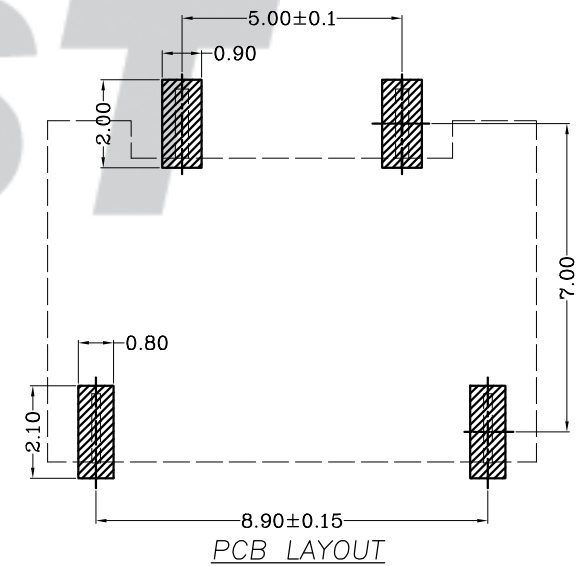
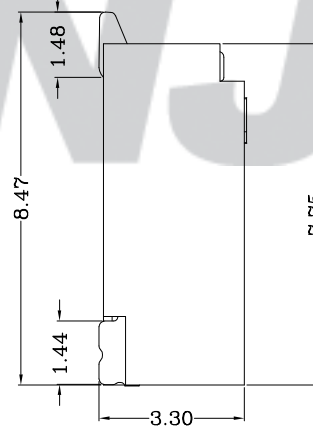
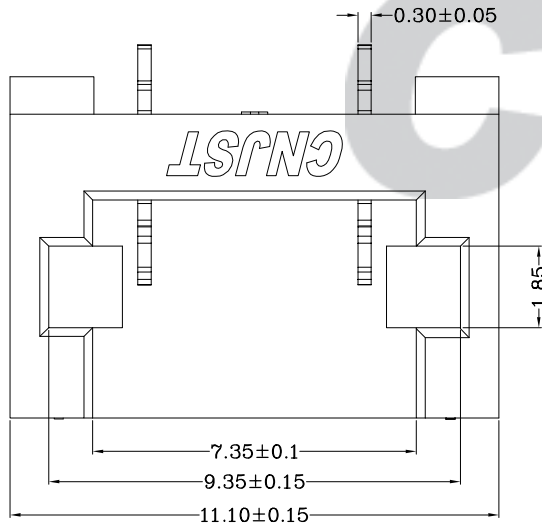
SPECIFICATION

- 1 Contact resistance:  $\leq 30m\Omega$
- 2 Insulation resistance:  $\geq 1000M\Omega$
- 3 Rated voltage: 400 V AC DC
- 4 Rated current: 0.75 A AC DC
- 5 Withstand Voltage: 1800V AC/minute
- 6 Temperature Range:  $-25^{\circ}C \sim +85^{\circ}C$

ORDER INFORMATION:

**A5001AWR-02-F2MB-R**

PART No.	PACKAGING:
No. OF CIRCUITS:	R=REEL
02	
PLASTIC MATERIAL:	PLATING:
F2M=LCP	B=Mattn Sn



B/O	2016.04.13	NEW RELEASE	
REV.	DATE	DESCRIPTION	APPD.

③	Material	2	Phosphor Bronze	Mattn Sn
②	Solder Tabs	2	Brass	Mattn Sn
①	Insulator	1	LCP (UL94V-0)	Nature (Beige)
NO.	DESCRIPTION	QTY	MATERIAL	PLATING/COLOR

Tolerance	Model Name: 5.00mm pitch 90° WAFER-SMT TYPE
X.X ±0.30	Model No: A5001AWR-02-F2MB-R
X.XX ±0.20	
X.XXX ±0.10	
Angle ±3.0°	
UNIT: mm	SCALE: FULL REVISION: B/0
<b>CNJST</b> 浙江捷仕泰电子有限公司 ZHEJIANG JIESHITAI ELECTRONIC CO., LTD	

Drawn: 蔡忠忠 2016. 04. 13
Checked: 林旭芝
Approved: 刘祚杰
DWG NO. CNJST/GCCP-0446