

RoHS Compliant

成品图

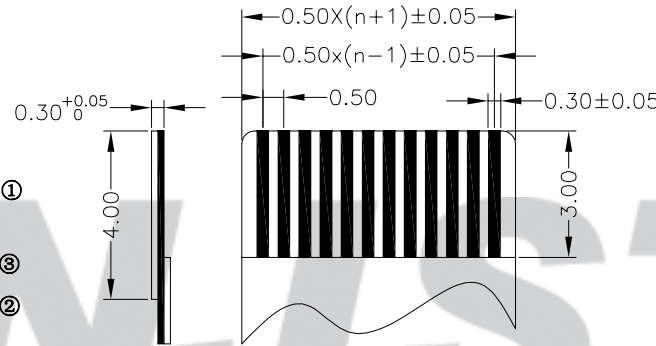
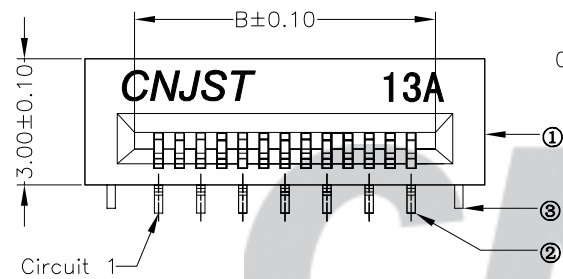
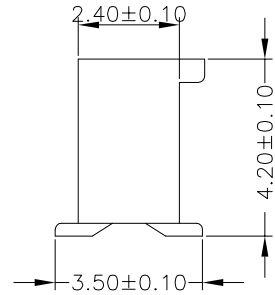
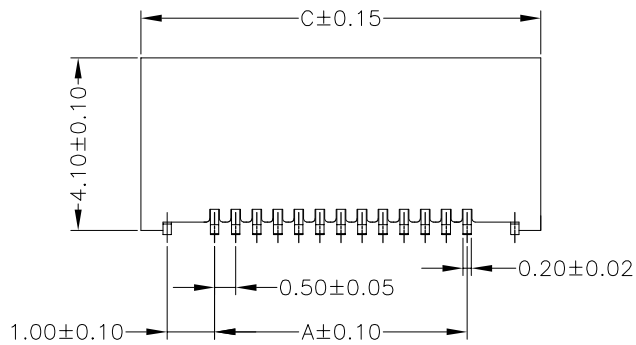
SPECIFICATION

- 1 Contact resistance:  $\leq 50m\Omega$
- 2 Insulation resistance:  $\geq 500M\Omega$
- 3 Rated voltage: 50 V AC DC
- 4 Rated current: 0.5 A AC DC
- 5 Withstand Voltage: 200V AC/minute
- 6 Temperature Range:  $-25^{\circ}C \sim +85^{\circ}C$

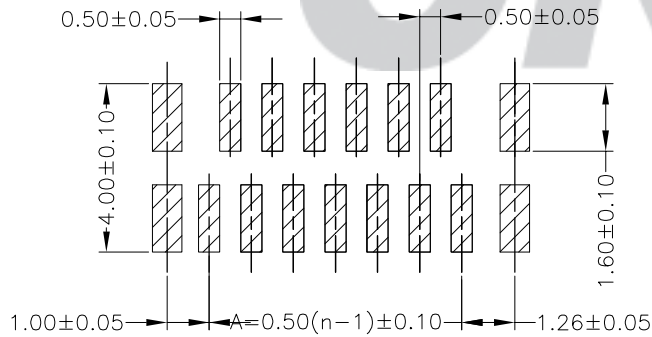
ORDER INFORMATION:

**F0502AWV-\*\*-C1MA-\***

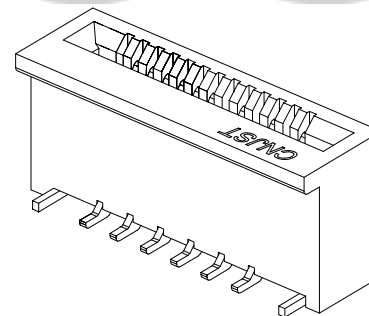
PART No. \_\_\_\_\_  
 No. OF CIRCUITS: \_\_\_\_\_  
 04~40  
 PLASTIC MATERIAL: \_\_\_\_\_  
 BIM=PA46 (BEIGE)  
 C1M=PA6T (BEIGE)  
 PACKAGING:  
 R=REEL  
 G=TUBE  
 PLATING:  
 A=Tin-plated



Accommodated FFC



SUGGESTED PCB LAYOUT  
(COMPONENT SIDE)



Circuits	Dimensions (mm)			Circuits	Dimensions (mm)		
	A	B	C		A	B	C
04	1.50	2.65	5.00	23	11.00	12.15	14.50
05	2.00	3.15	5.50	24	11.50	12.65	15.00
06	2.50	3.65	6.00	25	12.00	13.15	15.50
07	3.00	4.15	6.50	26	12.50	13.65	16.00
08	3.50	4.65	7.00	27	13.00	14.15	16.50
09	4.00	5.15	7.50	28	13.50	14.65	17.00
10	4.50	5.65	8.00	29	14.00	15.15	17.50
11	5.00	6.15	8.50	30	14.50	15.65	18.00
12	5.50	6.65	9.00	31	15.00	16.15	18.50
13	6.00	7.15	9.50	32	15.50	16.65	19.00
14	6.50	7.65	10.00	33	16.00	17.15	19.50
15	7.00	8.15	10.50	34	16.50	17.65	20.00
16	7.50	8.65	11.00	35	17.00	18.15	20.50
17	8.00	9.15	11.50	36	17.50	18.65	21.00
18	8.50	9.65	12.00	37	18.00	19.15	21.50
19	9.00	10.15	12.50	38	18.50	19.65	22.00
20	9.50	10.65	13.00	39	19.00	20.55	22.50
21	10.00	11.15	13.50	40	19.50	21.65	23.00
22	10.50	11.65	14.00				

B/O	2016.04.23	NEW RELEASE	
REV.	DATE	DESCRIPTION	APPD.
1			

③	Solder Tab	2	Phosphor Bronze	Tin-plated
②	Contacts	4~40	Phosphor Bronze	Tin-plated
①	Insulator	1	PA6T (UL94V-0)	Nature
NO.	DESCRIPTION	QTY	MATERIAL	PLATING/COLOR

Tolerance	Model Name: 0.50mm PITCH FPC Connector		Drawn: 蔡忠忠 2016. 04. 23
X.X ±0.30 X.XX ±0.20 X.XXX ±0.10 Angle ±3.0°	Model No: F0502AWV-**-C1MA-*		
UNIT: mm	SCALE: FULL	REVISION: B/0	Checked: 林旭芝
	CNJST 浙江捷仕泰电子有限公司 ZHEJIANG JIESHITAI ELECTRONIC CO., LTD		Approved: 刘祚杰
			DWG NO. CNJST/GCCP-0005