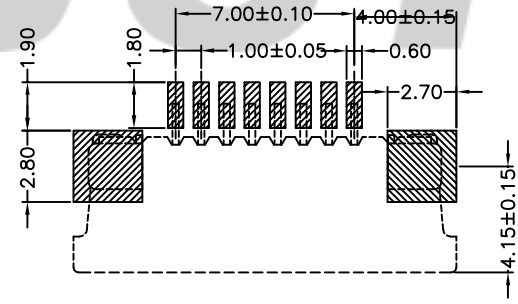
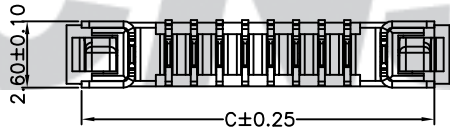
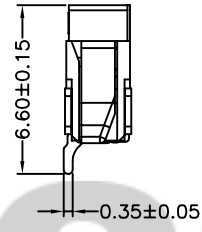
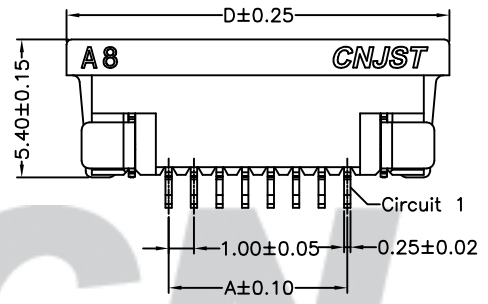
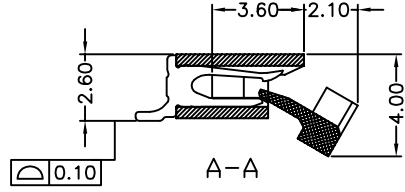
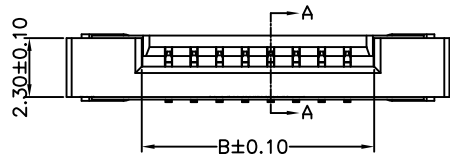


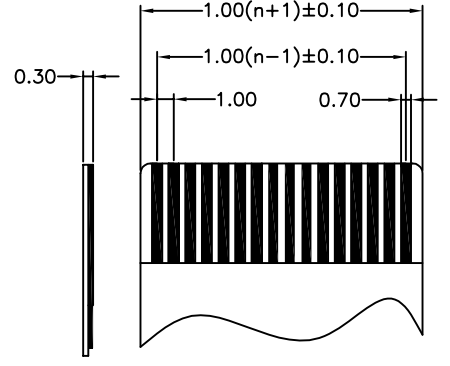
RoHS Compliant

成品图

Circuits	Dimensions (mm)			
	A	B	C	D
04	3.00	5.10	9.80	11.00
05	4.00	6.10	10.80	12.00
06	5.00	7.10	11.80	13.00
07	6.00	8.10	12.80	14.00
08	7.00	9.10	13.80	15.00
09	8.00	10.10	14.80	16.00
10	9.00	11.10	15.80	17.00
11	10.00	12.10	16.80	18.00
12	11.00	13.10	17.80	19.00
13	12.00	14.10	18.80	20.00
14	13.00	15.10	19.80	21.00
15	14.00	16.10	20.80	22.00
16	15.00	17.10	21.80	23.00
17	16.00	18.10	22.80	24.00
18	17.00	19.10	23.80	25.00
19	18.00	20.10	24.80	26.00
20	19.00	21.10	25.80	27.00
21	20.00	22.10	26.80	28.00
22	21.00	23.10	27.80	29.00
23	22.00	24.10	28.80	30.00
24	23.00	25.10	29.80	31.00
25	24.00	26.10	30.80	32.00
26	25.00	27.10	31.80	33.00
27	26.00	28.10	32.80	34.00
28	27.00	29.10	33.80	35.00
29	28.00	30.10	34.80	36.00
30	29.00	31.10	35.80	37.00
31	30.00	32.10	36.80	38.00
32	31.00	33.10	37.80	39.00
33	32.00	34.10	38.80	40.00
34	33.00	35.10	39.80	41.00
35	34.00	36.10	40.80	42.00
36	35.00	37.10	41.80	43.00
37	36.00	38.10	42.80	44.00
38	37.00	39.10	43.80	45.00
39	38.00	40.10	44.80	46.00
40	39.00	41.10	45.80	47.00



SUGGESTED PCB LAYOUT
(COMPONENT SIDE)



Accommodated FFC/FPC

SPECIFICATION

- 1 Contact resistance: $\leq 50m\Omega$
- 2 Insulation resistance: $\geq 500M\Omega$
- 3 Rated voltage: 50 V AC DC
- 4 Rated current: 0.5 A AC DC
- 5 Withstand Voltage: 500V AC/minute
- 6 Temperature Range: $-25^{\circ}C \sim +85^{\circ}C$

ORDER INFORMATION:

F1004AWRS--F2MA-R**

Part No.		PACKAGING:
No. of Circuits:		R=Reel
04~40		PLATING:
PLASTIC MATERIAL:		A=Tin-Plated
F2M=LCP (Loaker:PPS)		

B/O	2016.04.12	NEW RELEASE	
REV.	DATE	DESCRIPTION	APPD.
1			
2			

NO.	DESCRIPTION	QTY	MATERIAL	PLATING/COLOR
④	Locker	1	PPS (UL94V-0)	Black
③	Solder Tab	2	Phosphor Bronze	Tin-plated
②	Contacts	04~40	Phosphor Bronze	Tin-plated
①	Insulator	1	LCP (UL94V-0)	Nature

Tolerance	Model Name: 1.00mm pitch 90° SMT Upside FFC/FPC Connectors
X.X ±0.30	Model No: F1004AWRS-**-F2MA-R
X.XX ±0.20	
X.XXX ±0.10	
Angle ±3.0°	
UNIT: mm	
	CNJST 浙江捷仕泰电子有限公司 ZHEJIANG JIESHITAI ELECTRONIC CO., LTD

Drawn: 张育斌 2016.04.13
Checked: 林旭芝
Approved: 刘祚杰
DWG NO. CNJST/GCCP-0215

B/O	2016.04.12	NEW RELEASE	
REV.	DATE	DESCRIPTION	APPD.
1			
2			