

RoHS Compliant

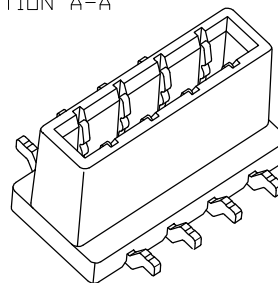
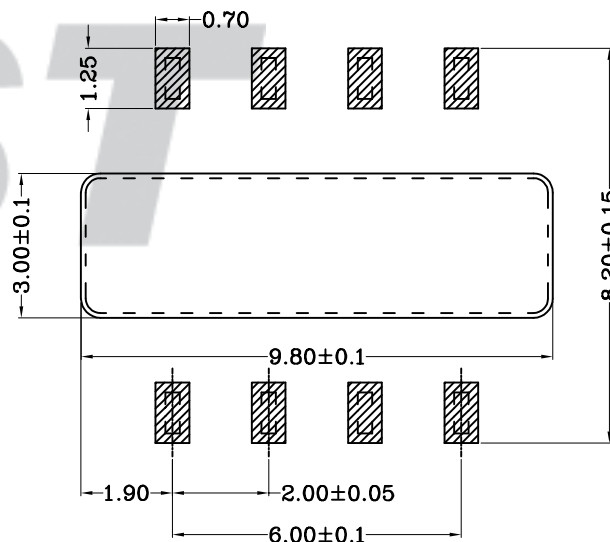
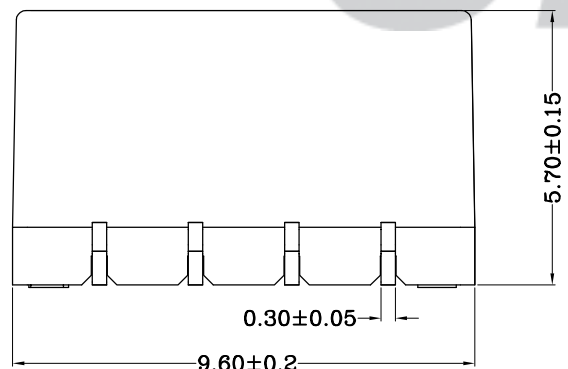
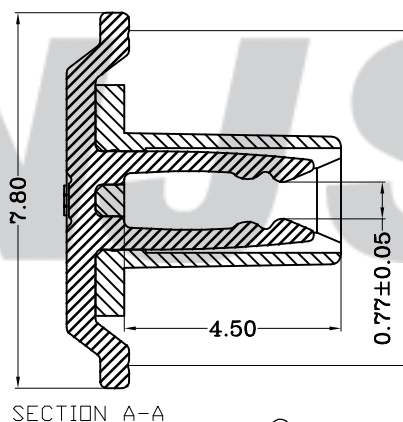
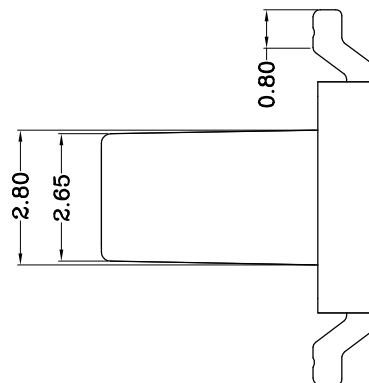
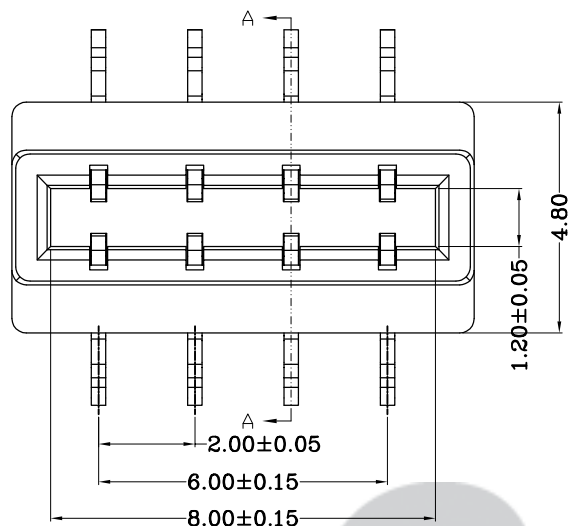
成品图

SPECIFICATION

- 1 Contact resistance: $\leq 30m\Omega$
- 2 Insulation resistance: $\geq 500M\Omega$
- 3 Rated voltage: 200 V AC DC
- 4 Rated current: 1.0A AC DC
- 5 Withstand Voltage: 500V AC/minute
- 6 Temperature Range: $-25^{\circ}C \sim +85^{\circ}C$

ORDER INFORMATION:

T2002M-04-F2MB-R	
PART No.:	PACKAGING:
No. OF CIRCUITS:	R=REEL
04	PLATING:
PLASTIC MATERIAL:	B=Mattn Sn
F2M=LCP	



SUGGESTED PCB LAYOUT (TOP VIEW)

专利产品

REV.	DATE	DESCRIPTION	APPD.
B/O	2016.04.18	NEW RELEASE	

②	Material	08	Phosphor Bronze	Mattn Sn
①	Insulator	1	LCP (UL94V-0)	Nature (Beige)
NO.	DESCRIPTION	QTY	MATERIAL	PLATING/COLOR

Tolerance	Model Name: 2.00mm pitch 180° SMT TYPE		SCALE: FULL	REVISION: B/0
X.X ±0.30	Model No: T2002M-04-F2MB-R			
X.XX ±0.20				
X.XXX ±0.10				
Angle ±3.0°				
UNIT: mm	CNJST 浙江捷仕泰电子有限公司			
	ZHEJIANG JIESHITAI ELECTRONIC CO., LTD			

Drawn: 蔡忠忠 2016.04.18
Checked: 林旭芝
Approved: 刘祚杰
DWG NO. CNJST/GCCP-0439