

RoHS Compliant

成品图

SPECIFICATION

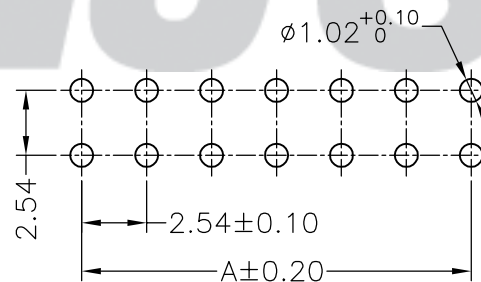
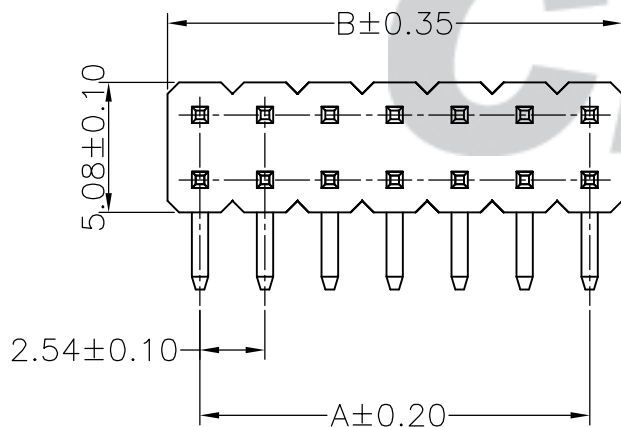
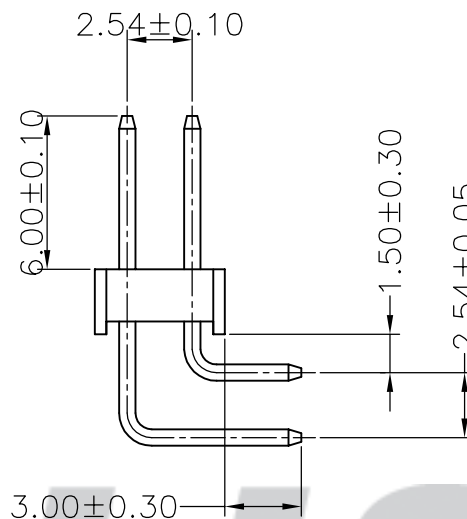
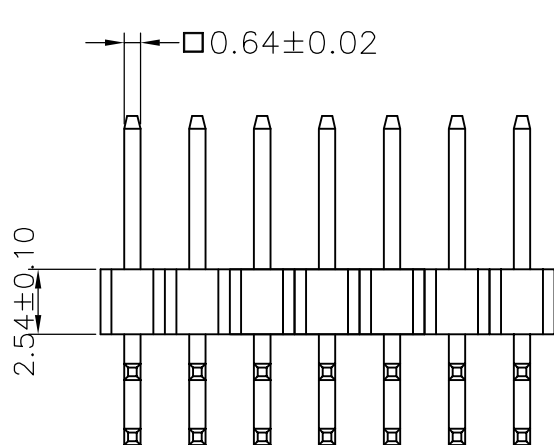
- 1 Contact resistance:  $\leq 20m\Omega$
- 2 Insulation resistance:  $\geq 1000M\Omega$
- 3 Rated voltage: 250 V AC DC
- 4 Rated current: 2.5 A AC DC
- 5 Withstand Voltage: 800V AC/minute
- 6 Temperature Range:  $-25^{\circ}C \sim +85^{\circ}C$

ORDER INFORMATION:

**A2541AW-\*\*\*-C3KC-\***

PART No.:		PACKAGING:
No. OF CIRCUITS:		P=PE
		B=Tray
PLASTIC MATERIAL:		PLATING:
C3K=PA6T (BLACK)		C=Gold-plated
E2K=PBT (BLACK)		

Circuits	Dimensions (mm)		Circuits	Dimensions (mm)	
	A	B		A	B
201 (2X1)	0.00	2.54	221 (2X21)	50.80	53.34
202 (2X2)	2.54	5.08	222 (2X22)	53.34	55.88
203 (2X3)	5.08	7.62	223 (2X23)	55.88	58.42
204 (2X4)	7.62	10.16	224 (2X24)	58.42	60.96
205 (2X5)	10.16	12.70	225 (2X25)	60.96	63.50
206 (2X6)	12.70	15.24	226 (2X26)	63.50	66.04
207 (2X7)	15.24	17.78	227 (2X27)	66.04	68.58
208 (2X8)	17.78	20.32	228 (2X28)	68.58	71.12
209 (2X9)	20.32	22.86	229 (2X29)	71.12	73.66
210 (2X10)	22.86	25.40	230 (2X30)	73.66	76.20
211 (2X11)	25.40	27.94	231 (2X31)	76.20	78.74
212 (2X12)	27.94	30.48	232 (2X32)	78.74	81.28
213 (2X13)	30.48	33.02	233 (2X33)	81.28	83.82
214 (2X14)	33.02	35.56	234 (2X34)	83.82	86.36
215 (2X15)	35.56	38.10	235 (2X35)	86.36	88.90
216 (2X16)	38.10	40.64	236 (2X36)	88.90	91.44
217 (2X17)	40.64	43.18	237 (2X37)	91.44	93.98
218 (2X18)	43.18	45.72	238 (2X38)	93.98	96.52
219 (2X19)	45.72	48.26	239 (2X39)	96.52	99.06
220 (2X20)	48.26	50.80	240 (2X40)	99.06	101.60



SUGGESTED PCB LAYOUT  
(COMPONENT SIDE)

REV.	DATE	DESCRIPTION	APPD.
B/O	2016.05.09	NEW RELEASE	

NO.	DESCRIPTION	QTY	MATERIAL	PLATING/COLOR
③	Contacts	1~40	Brass	Gold Flash
②	Contacts	1~40	Brass	Gold Flash
①	Insulator	1	PA6T (UL94V-0)	Black

Tolerance  
X.X  $\pm 0.30$   
X.XX  $\pm 0.20$   
X.XXX  $\pm 0.10$   
Angle  $\pm 3.0^{\circ}$

Model Name: 2.54mm PITCH 90° WAFER  
Model No: A2541AW-\*\*\*-C3KC-\*

SCALE: FULL REVISION: B/O

UNIT: mm

**CNJST** 浙江捷仕泰电子有限公司  
ZHEJIANG JIESHITAI ELECTRONIC CO., LTD

Drawn: 蔡忠忠 2016.05.09  
Checked: 林旭芝  
Approved: 刘祚杰  
DWG NO. CNJST/GCCP-0086