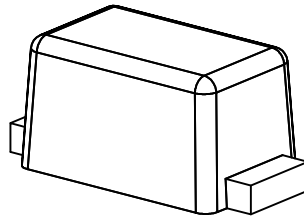
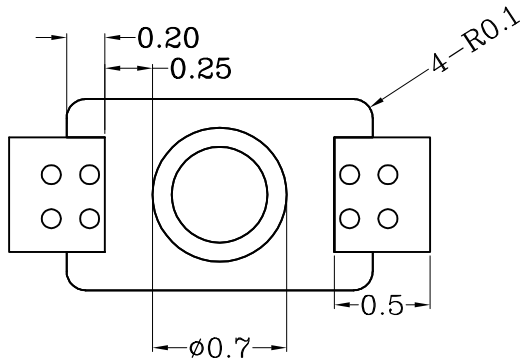


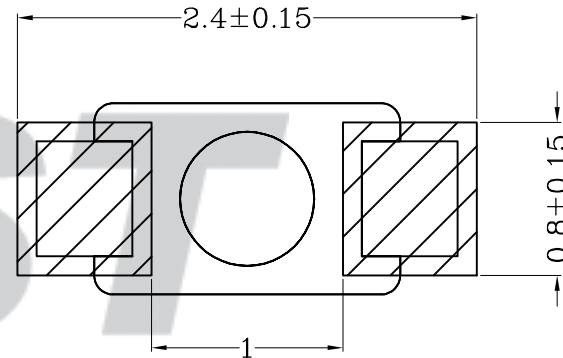
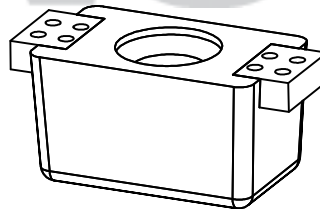
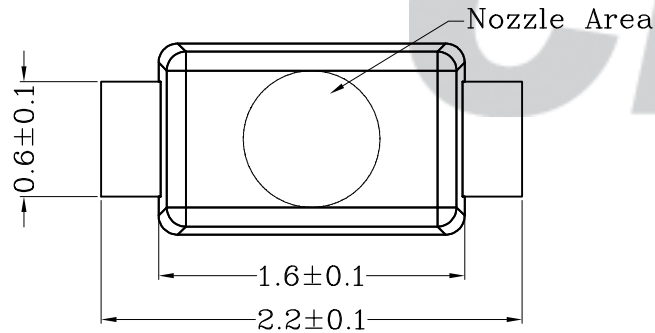
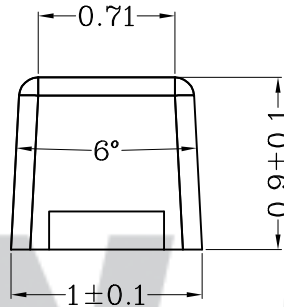
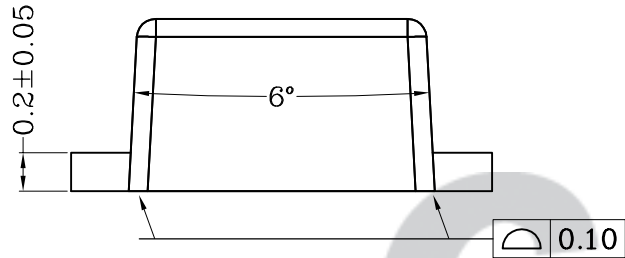
RoHS Compliant

成品图



ORDER INFORMATION:

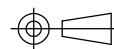
MD-221009-H1MA-R	
PART No.	PACKAGING:
No. OF CIRCUITS:	R=REEL
Length	PLATING:
Width	A=Tin-plated
Height	PLASTIC MATERIAL:
	H1M=PPA (Nature)



SUGGESTED PCB LAYOUT
(TOP VIEW)

专利产品

REV.	DATE	DESCRIPTION	APPD.	NO.	DESCRIPTION	QTY	MATERIAL	PLATING/COLOR
B/0	2016.04.16	NEW RELEASE		②	Conductor	2	Phosphor Bronze	Tin-plated
				①	Insulator	1	PPA(不阻燃)	Nature

Tolerance	Model Name: Stopper	
X.X ±0.30	Model No: MD-221009-H1MA-R	
X.XX ±0.20	SCALE: FULL	REVISION: B/0
X.XXX ±0.10		
Angle ±3.0°		
UNIT: mm	CNJST 浙江捷仕泰电子有限公司 ZHEJIANG JIESHITAI ELECTRONIC CO., LTD	

Drawn: 蔡忠忠 2016.04.16
Checked: 林旭芝
Approved: 刘祚杰
DWG NO. CNJST/GCCP-0457